

BCS-DPC 5-1



BCS-DPC 5-2



DESIGNED FOR:

- IA-LON Product Line
- IA-BACnet Product Line

BENEFITS & FEATURES:

- Allows one analog input to function as five digital inputs
- Unaffected by long lead lengths
- Can use controllers 5 VDC

DPC5 SERIES:

The DPC-5 Series of Digital Input Cards are available in two varieties DPC5-1 and DPC5-2. Each Card allows for conversion of a single universal input channel to accept up to five voltage free contacts of any mixture such as mercury wetted, Triac, etc., which may have inherently large and varying resistances. The DPC5-2 Cards on-board circuitry allows I/A Series 800 Controller inputs to have a consistent input reading, unaffected by long lead lengths, varying resistances, etc. This card also utilizes the five volt (5V) DC supply found on board the I/A Series 800 controllers.

SPECIFICATIONS:

Operating Temperature:	+32 to +122 Degrees F
Wire Length	Length for each input must not exceed 1,000 ft (304 meters) of 18 gauge wire.
DPC5-1 Power Supply:	None Required
DPC5-2 Power Supply:	5 VDC*
DPC5-1 Max Contact Resistance	Each contact closure resistance cannot exceed 1Ω
DPC5-1 Min Contact Rating	Contact must handle a 3.1 mA current source

* As of 9/20/2005 we are now providing a 22.1KΩ resistor along with this order. This resistor is required with MNL-800 Controllers.

* 5 VDC on-board supply from I/A Series 800 Controller may be used.

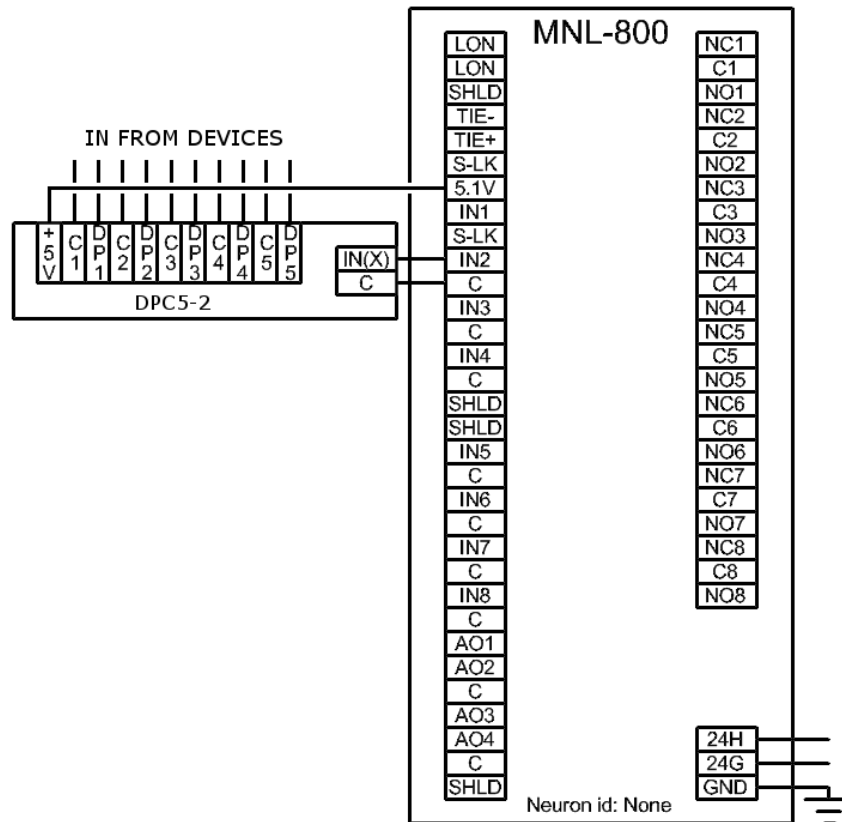
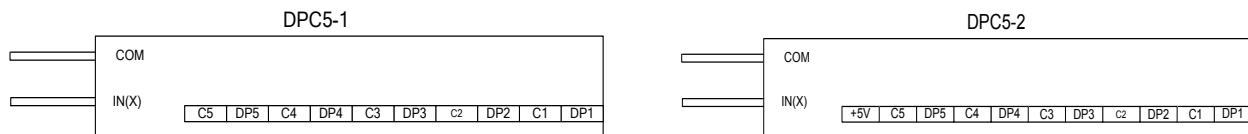
SOFTWARE:

DUI Expander	
Addr	Output[1]
	Output[2]
	Output[3]
	Output[4]
	Output[5]
	Status

DUI

This card uses the standard DUI object in Workplace Tech for determining the status of the proper outputs.

WIRING:



MNL-800-101