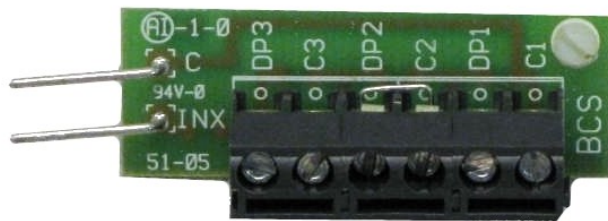


BCS-DPC 3-2



BCS-DPC 3-1



### DESIGNED FOR:

- IA-ASD Product Line Only

### BENEFITS & FEATURES:

- Allows one analog input to function as three digital inputs
- Unaffected by long lead lengths
- Can use controllers 5 VDC

### DPC3 SERIES:

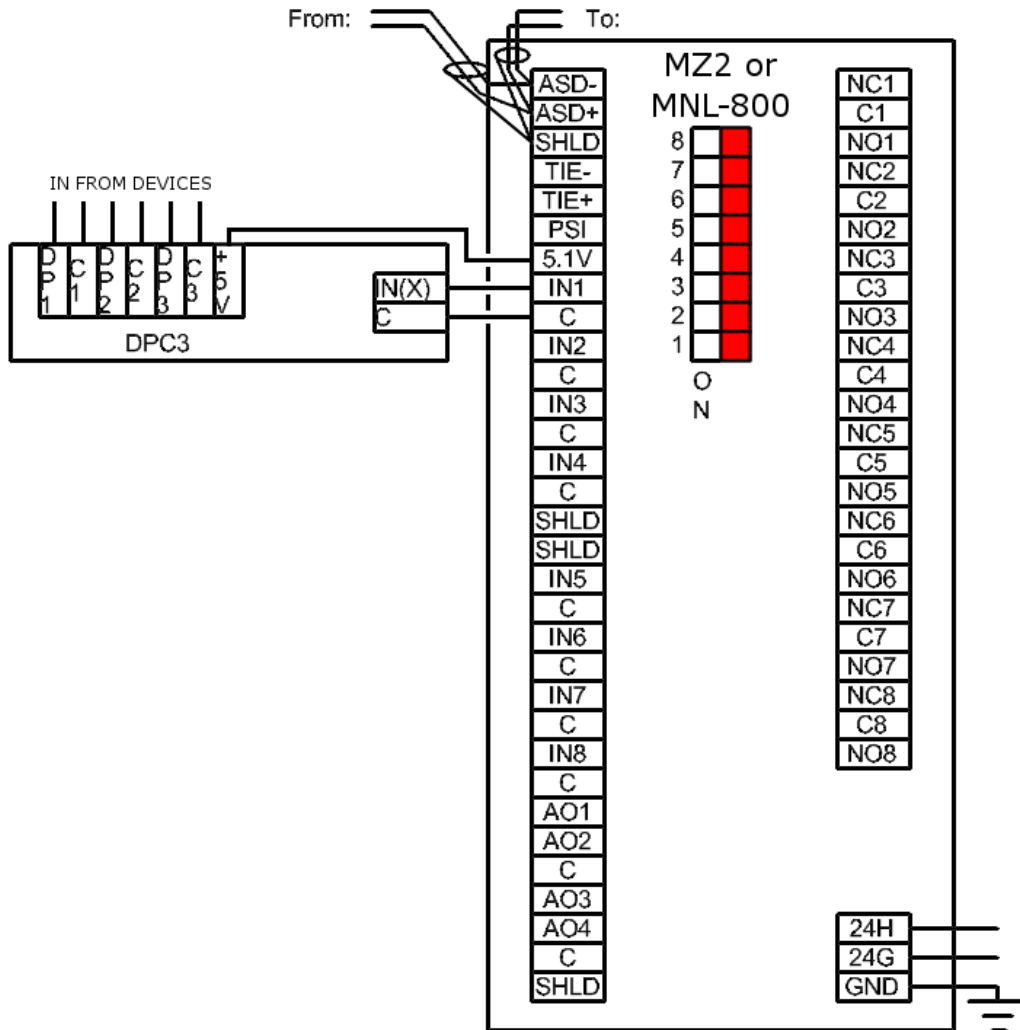
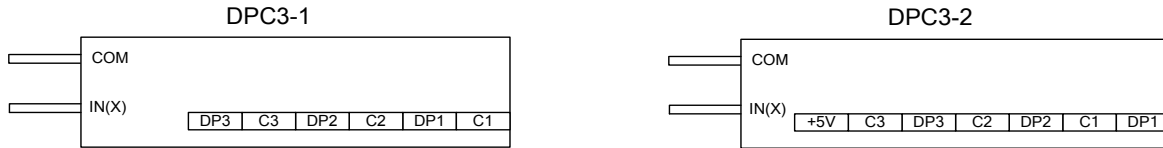
The DPC-3 Series of Digital Input Cards are available in two varieties DPC 3-1 and DPC 3-2. Each Card allows for conversion of a single universal input channel to accept up to three voltage free contacts of any mixture such as mercury wetted, Triac, etc., which may have inherently large and varying resistances. The DPC 3-2 Cards on-board circuitry allows Microzone II inputs to have a consistent input reading, unaffected by long lead lengths, varying resistances, etc. The DPC-3 Series Cards have been designed for the TAC Network 8000.

### SPECIFICATIONS:

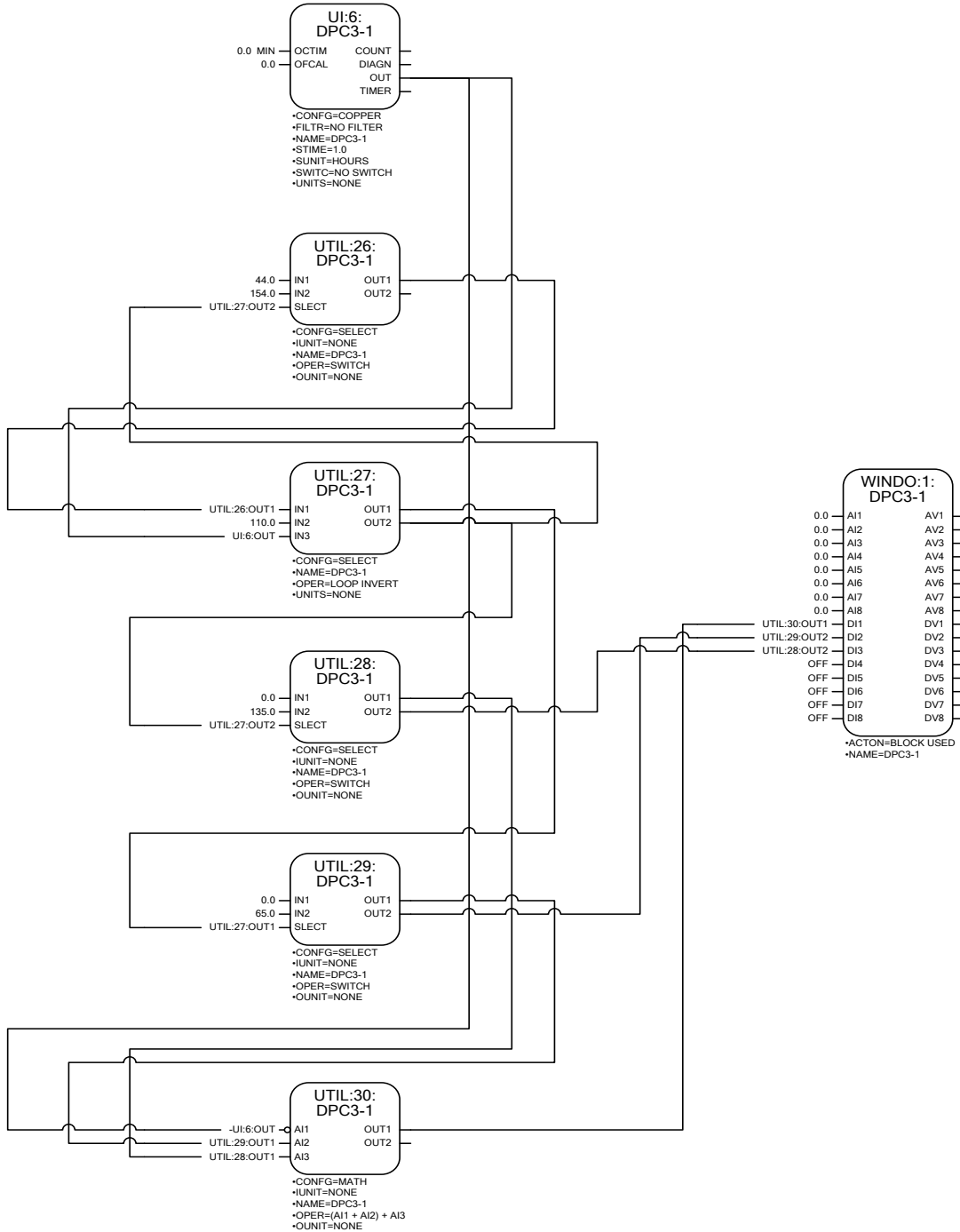
<b>Operating Temperature:</b>	+32 to +122 Degrees F
<b>DPC3-1 Power Supply:</b>	None Required
<b>DPC3-2 Power Supply:</b>	5 VDC*

\* 5 VDC on-board supply from Microzone II Controller may be used.

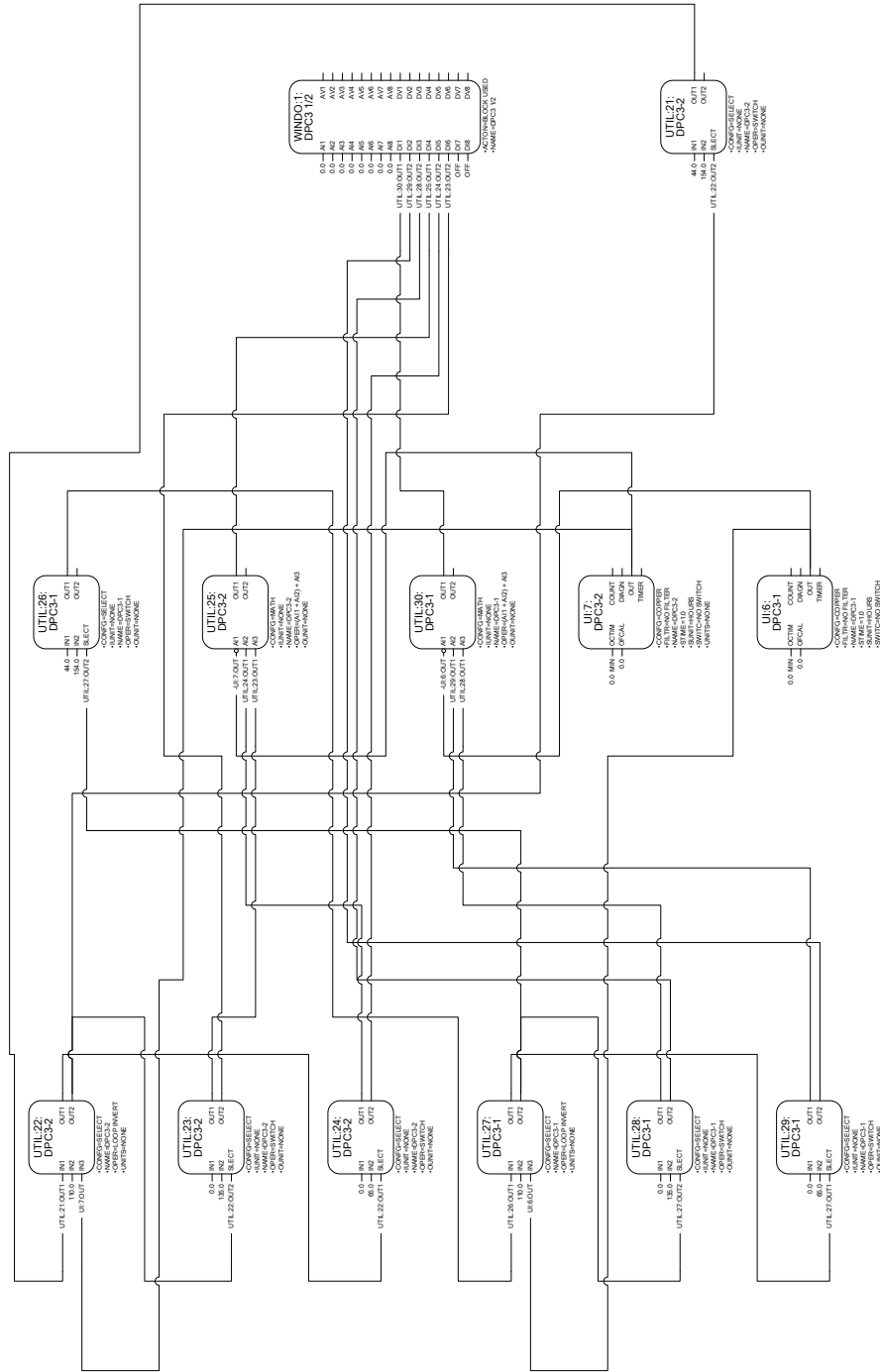
**WIRING:**



**SOFTWARE FOR USE WITH A SINGLE DPC3 POINT CARD:**



**SOFTWARE FOR USE WITH TWO DPC3 POINT CARDS:**



**SOFTWARE FOR USE WITH THREE DPC3 POINT CARDS:**

